



1160
Hoftrac



Technical specifications

	Standard	Outfitting example 1	Outfitting example 2	Outfitting example 3
Engine data				
Manufacturer	Perkins	Perkins	Perkins	Perkins
Engine type	403 D-11	403 D-15	403 D-15	403 D-15
Cylinders	3	3	3	3
Engine performance (max.) kW (hp)	17.9 (24)	23.4 (32)	23.4 (32)	23.4 (32)
at rpm (max.) rpm	2800	2600	2600	2600
Cubic capacity cm ³	1131	1496	1496	1496
Cooling system	Water	Water	Water	Water



	Standard	Outfitting example 1	Outfitting example 2	Outfitting example 3
Electrical system				
Operating voltage V	12	12	12	12
Battery Ah	77	77	77	77
Alternator A	40	65	65	65
Weights				
Operating weight (standard) kg	1910	2060	2150	2250
Lift force (max.) daN	2.170	2.170	2.170	2.170
Tipping load with bucket - machine straight kg	905	994	1144 / 1285*	1330*
Tipping load with bucket - machine articulated kg	660	727	882 / 994*	1087*
Tipping load with pallet fork - machine straight kg	718	792	934 / 1048*	1095*
Tipping load with pallet fork - machine articulated kg	521	576	721 / 808*	885*
Vehicle data				
Axle (optional)	K80 (T80, T94)	T80	T94	T80
Cab (optional)	FSD (eps)	FSD (eps)	FSD (eps)	Cab
Ground speed (optional) km/h	0 - 13 (20, 30)	0 - 20	0 - 20 (30)	0 - 20 (30)
Speed stages (optional)	1 (2)	2	2	2
Fuel tank capacity l	20	20	20	20
Hydraulic oil tank capacity l	20	20	20	20
Hydraulic system				
External services - Operating pressure bar	305	305	450	450
Steering hydraulics - Oil flow l/min	30.8	30.8	36.4	36.4
Steering hydraulics - Operating pressure bar	225	225	225	225
Drive				
Type of drive	Hydrostatic	Hydrostatic	Hydrostatic	Hydrostatic
Traction drive	Oil engine	Universal joint shaft	Universal joint shaft	Universal joint shaft
Noise values				
Average sound power level L _{wA} dB(A)	98,8	98,4	98,4	98,4
Guaranteed sound power level L _{wA} dB(A)	101	101	101	101
Specified sound pressure level L _{pA} dB(A)	85	84	84	

*Tipping load with a cast rear counterweight

Tipping load calculation according to ISO 14397



FSD = canopy

eps = Easy Protection System (fold-down canopy)

Vibrations (weighted average effective value)

Hand-arm vibrations: The hand-arm vibrations are no more than 2.5 m/s²

Whole body vibrations: This machine is equipped with a driver's seat that meets the requirements of EN ISO 7096:2000.

When the loader is properly used, the whole body vibrations vary from below 0.5 m/s² up to a short-term maximum value.

It is recommended to use the values specified in the table when calculating the vibration values according to ISO/TR 25398:2006. At the same time the actual use conditions have to be taken into consideration.

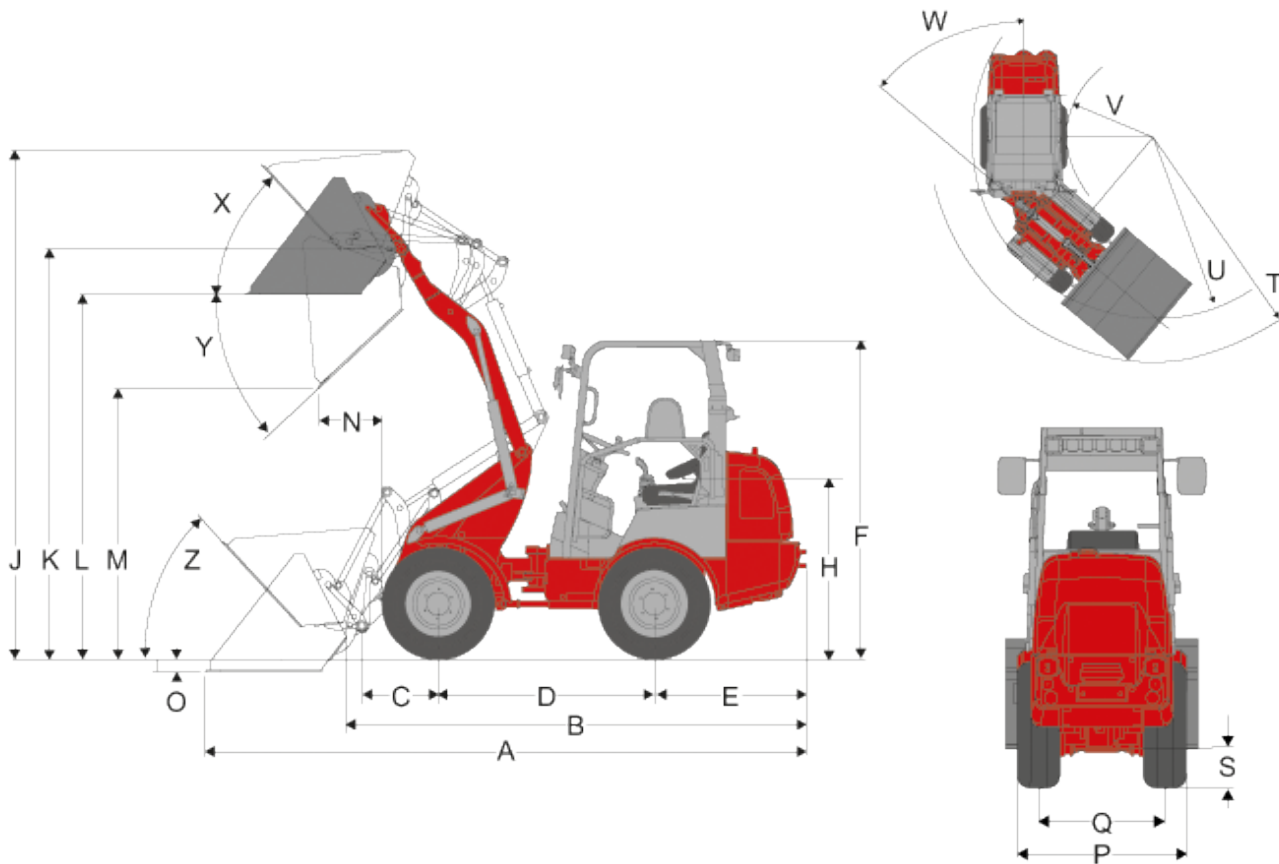
Telescopic loaders, like wheel loaders, are to be classified by operating weight.

Type of loader	Typical operating conditions	Average value			Standard deviation (s)		
		1.4*a _{w,eqx} [m/s ²]	1.4*a _{w,eqy} [m/s ²]	a _{w,eqz} [m/s ²]	1.4*s _x [m/s ²]	1.4*s _y [m/s ²]	s _z [m/s ²]
Compact wheel loader (operating weight < 4,500 kg)	Load&&carry (load and transport work)	0.94	0.86	0.65	0.27	0.29	0.13
Wheel loader (operating weight > 4,500 kg)	Load&&carry (load and transport work)	0.84	0.81	0.52	0.23	0.2	0.14
	Application in extraction (harsh application conditions)	1.27	0.97	0.81	0.47	0.31	0.47
	Transfer drive	0.76	0.91	0.49	0.33	0.35	0.17
	V-operation	0.99	0.84	0.54	0.29	0.32	0.14



1160
Hoftrac

Dimensions



		1160 (FSD)	1160 (Kabine)
A	Total length	3.983 mm	3.983 mm
B	Total length (without bucket)	3.005 mm	3.005 mm
C	Axle middle to bucket pivot pin	508 mm	508 mm
D	Wheelbase	1.468 mm	1.468 mm
E	Rear overhang	917 mm	917 mm
F	Height to top of overhead guard fixed	2.237 mm	



	Height to top of overhead guard foldable (eps)	2.341 mm	
	Height to top of overhead guard foldable, folded (eps)	1.928 mm	
	Height to top of cabin		2.302 mm
H	Seat top height	1.273 mm	980 mm
J	Total working height	3.423 mm	3.423 mm
K	Height of bucket pivot (max.)	2.740 mm	2.740 mm
L	Load-over height	2.421 mm	2.421 mm
M	Dumping height	1.799 mm	1.799 mm
N	Operating distance for M	498 mm	498 mm
O	Digging depth	97 mm	97 mm
P	Total width	1.044 mm	1.044 mm
Q	Track width	780 mm	780 mm
S	Ground clearance	255 mm	255 mm
T	Maximum radius external	2.592 mm	2.831 mm
U	Radius at the outer edge	2.138 mm	2.415 mm
V	Inside turning radius	1.017 mm	1.311 mm
W	Inclination angle	50 °	43 °
X	Rollback angle at max. lifting height	50 °	50 °
Y	Dumping angle (max.) (max.)	40 °	40 °
Z	Rollback angle (on the ground)	49 °	49 °

eps (Easy Protection System) = fold-down canopy



1160 Hoftrac

Standard components

Engine

- Perkins 403 D-11 (17.9 kW / 24 hp)

Drive

- Compact axle K80
- Automatic drive via oil engines on the axles, travel direction can be selected via the joystick
- Service brake: Hydrostatic drive system acting on all 4 wheels (wear-free)
- Central service and parking brake in the drive train acting on all 4 wheels
- Tyres 10.0 / 75 - 15.3 AS ET10

Steering

- Hydraulic articulated pendulum steering, 12° oscillating angle

Hydraulics

- 3rd Control circuit front DN10
- Hydraulic oil cooler
- Lock for steering valve
- Floating position for lift and tilting cylinders

Driver's cab

- Canopy with retaining system ROPS / FOPS tested, driver's cab can be tilted to the side
- Comfort seat with safety belt, fully suspended, weight, back and horizontal adjustment, 60 mm spring deflection
- Joystick with travel direction switch



Other

- Working lights (2 front, 1 rear)
- Operating hour meter
- Battery circuit breaker
- Fuel display
- Mechanical quick-change system for attachments



1160 Hoftrac

Options

Engine

- Perkins 403 D-15 (23.4 kW / 32 hp)
- Engine pre-heating

Driver's cab

- Right armrest
- eps (Easy Protection System) - fold-down canopy
- Cab
- Adjustable steering column
- Air-suspended comfort seat

Lighting

- Working light on loading arm
- Lighting according to Road Traffic Regulations
- Rotary beacon

Axles / drive

- T80, including transfer gear and universal joint shaft
- T94 including transfer gear and universal joint shaft (high pressure drive system)
- 100% differential lock (only for axle T80 and T94)
- Wheel spacer (30 mm)
- Speed increase to 30 km/h

Hydraulics



- Unpressurised reflux (front)
- 3rd control circuit front DN12
- 3rd comfort control circuit
- 4th comfort control circuit
- High flow single-acting (65 l/min)
- Faster plug-in connector (machine or attachment side)
- Notch for joystick (single / double)
- Hydraulic connection in rear (single-acting or dual-acting)

Electrical connections

- Plug receptacle in front, 3 or 7-pin (single or dual function)
- Plug receptacle for rear attachments, 7-pin

Other

- High lifting height
- Hydraulic quick-change system for attachments
- Counterweight (floor panel)
- Weight of cast iron rear
- Back-up alarm
- Load-lowering valve
- Combination case with warning triangle and first-aid kit
- Switch position indicator
- Self-recovery coupling
- Tool box
- Technical Inspection Authority expert's report
- Central lubrication system
- Custom made paint finish

Please note

that product availability can vary from country to country. It is possible that information / products may not be available in your country. More detailed information on engine power can be found in the operator's manual; the stated power may vary due to specific operating conditions.

Subject to alterations and errors excepted. Applicable also to illustrations.

Copyright © 2017 Weidemann GmbH.