



1880
Hoftrac



Technical specifications

	1880 FSD	1880 cab
Engine data		
Manufacturer	Perkins	Perkins
Engine type	404D-22	404D-22
Cylinders	4	4
Engine performance (max.) kW (hp)	36.3 (50)	36.3 (50)
at rpm (max.) rpm	2800	2800
Cubic capacity cm ³	2216	2216
Cooling system	Water	Water

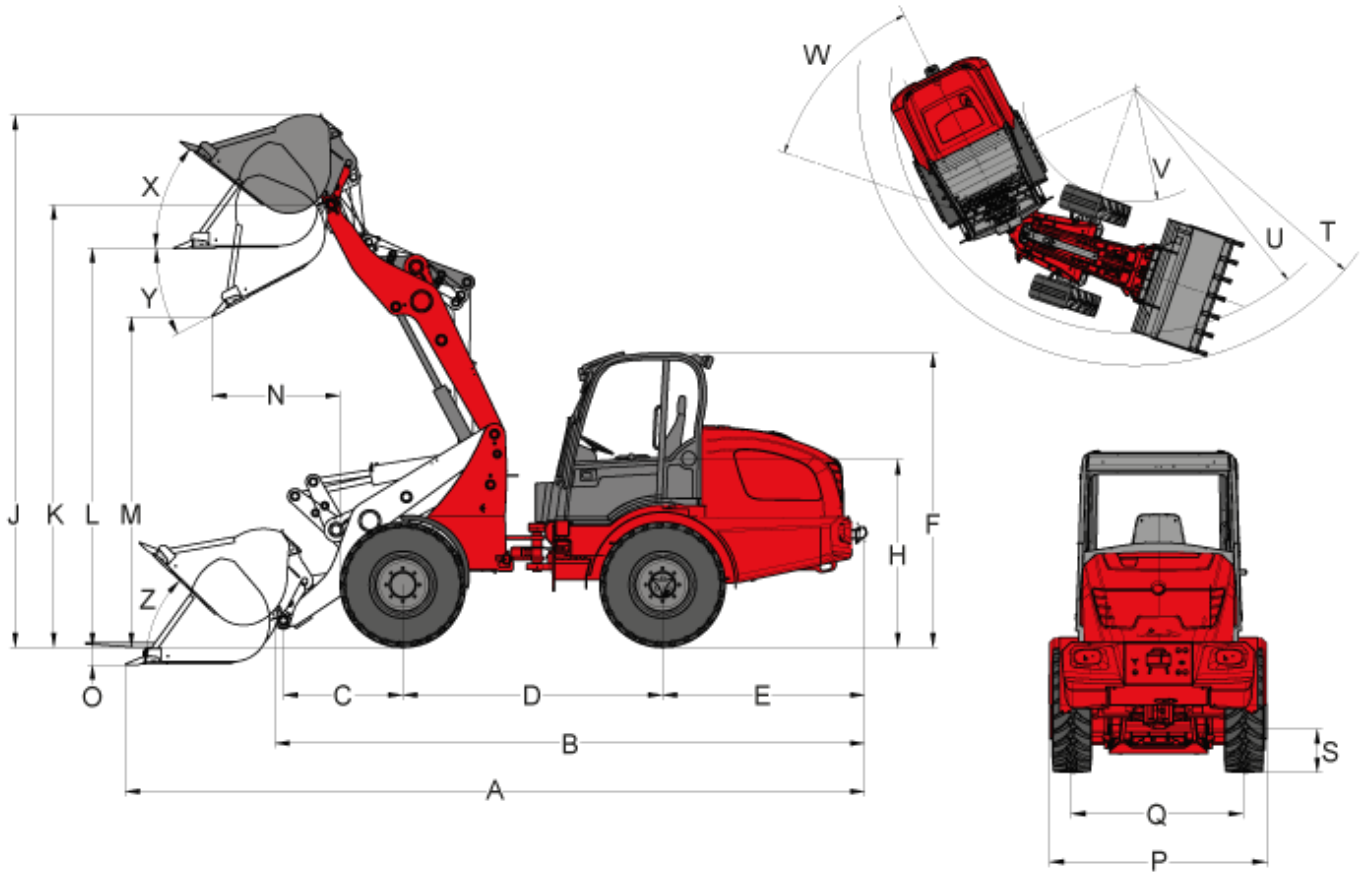


	1880 FSD	1880 cab
Electrical system		
Operating voltage V	12	12
Battery Ah	95	95
Alternator A	85	85
Weights		
Operating weight (standard) kg	3400	3400
Tipping load with bucket - machine straight kg	2086	2289
Tipping load with pallet fork - machine straight kg	1731	1907
Vehicle data		
Axle	PA 940	PA 940
Cab (optional)	FSD (cab)	Cab
Ground speed (optional) km/h	0 - 20 (28)	0 - 20 (28)
Speed stages	2	2
Fuel tank capacity l	65	65
Hydraulic oil tank capacity l	35	35
Hydraulic system		
External services - Operating pressure bar	450	450
Steering hydraulics - Oil flow (optional) l/min	56 (63-100)	56 (63-100)
Steering hydraulics - Operating pressure bar	210	210
Drive		
Type of drive	Hydrostatic	Hydrostatic
Traction drive	Universal joint shaft	Universal joint shaft
Noise values		
Average sound power level L _{wA} dB(A)	99,8	99,8
Guaranteed sound power level L _{wA} dB(A)	101	101
Specified sound pressure level L _{pA} dB(A)	82	82



1880
Hoftrac

Dimensions



1880 FSD

1880 cab

		1880 FSD	1880 cab
A	Total length	4.715 mm	4.715 mm
B	Total length (without bucket)	4.022 mm	4.022 mm
C	Axle middle to bucket pivot pin	675 mm	675 mm
D	Wheelbase	1.952 mm	1.952 mm
E	Rear overhang	1.290 mm	1.290 mm
F	Height to top of overhead guard fixed	2.336 mm	



F	Height to top of cabin		2.346 mm
H	Seat top height	1.349 mm	1.349 mm
J	Total working height	3.675 mm	3.943 mm
K	Height of bucket pivot (max.)	3.203 mm	3.203 mm
L	Load-over height	2.861 mm	2.885 mm
M	Dumping height	2.454 mm	2.433 mm
N	Operating distance for M	198 mm	257 mm
O	Digging depth	104 mm	41 mm
P	Total width	1.214 mm	1.214 mm
Q	Track width	950 mm	950 mm
S	Ground clearance	270 mm	248 mm
T	Maximum radius external	3.447 mm	3.434 mm
U	Radius at the outer edge	3.171 mm	3.171 mm
V	Inside turning radius	1.831 mm	1.831 mm
W	Inclination angle	45 °	45 °
X	Rollback angle at max. lifting height	52 °	50 °
Y	Dumping angle (max.)	41 °	48 °
Z	Rollback angle (on the ground)	42 °	39 °



1880
Hoftrac

Standard components

Motor

- Perkins 404 D-22 (36.3 kW / 50 hp)

Drive system

- PA940 planetary axle
- Hydrostatic all-wheel drive, travel direction can be selected via joystick
- Service brake: Hydrostatic drive system acting on all 4 wheels (wear-free)
- Central service and parking brake in the drive train acting on all 4 wheels
- 100% differential lock, electric-hydraulically connectable on front and rear axle
- Tires 10.0 / 75 - 15.3 AS ET-5

Steering system

- Hydraulic articulated pendulum steering, 12° oscillating angle

Hydraulics

- 3rd control circuit in front electrically proportional in parallel via joystick
- Hydraulic oil cooler
- Floating position for lift cylinder

Driver's Cabin

- Operator's canopy with retaining system roll-over protective structure / FOPS-tested, including rear window, laterally tiltable driver's cabin
- Comfort seat with safety belt, fully suspended, weight, back and horizontal adjustment
- Joystick with direction control switch and integrated touch button for differential lock
- Adjustable steering column

Other

- Working lights (2 front, 2 rear)
- Operating hour meter
- Battery circuit breaker
- Fuel display
- Hydraulic quick-change system for attachments
- Toolbox in the vehicle rear
- Bucket status display
- Self-recovery coupling



1880
Hoftrac

Options

Motor

- Perkins 404F-22T (44.7 kW / 60 hp)
- Engine pre-heater + hydraulic oil pre-heater 230 V

Drive system

- Hand inching (creep speed controller)
- Speed increase to 28 km/h
- Load arm dampening

Driver's Cabin

- Roof lining for operator's canopy
- Front window complete with wiper
- 2-door cabin, including heating and ventilation
- Air-cushioned comfort seat (artificial leather / fabric)
- Heated seat
- Air-conditioning system
- Cabin plug receptacle 230 V

Lighting

- Lighting according to Road Traffic Regulations
- MEGA working lights (2 front, 2 rear)
- LED working lights (2 front, 2 rear)
- Rotating beacon

Hydraulics

- Unpressurised reverse travel (front / rear)
- 3rd control circuit, electrically, proportionally, serial
- 4th additional control circuit electrically proportional in parallel
- Work hydraulics of large pump (63 l/min)
- Work hydraulics of large pump (70 l/min)
- High flow single-acting performance hydraulics (100 l/min)
- Additional hydraulic oil cooler
- Dual-acting hydraulic connection in rear (30 l/min) proportional (two couplings) via reversing valve
- Dual-acting hydraulic connection in rear (30 l/min) (two couplings), including separate steering valve
- 2x hydraulic connection in rear (30 l/min) dual acting (four couplings), including separate steering valve

Electrical connections

- Front plug receptacle, 7-pole for lighting front attachments
- Front plug receptacle, 3-pole (dual function)



- Plug receptacle for rear attachments, 7-pin
- Triple-pole rear plug receptacle

Other

- Radio
- Reversing warning system
- Load-lowering valve
- Combination case with warning triangle and first-aid kit
- Tool kit
- Fire extinguisher 2kg
- Technical Inspection Authority expert's report
- Automatic trailer coupling
- Approval as self-propelled work machine with AHK*
- Official approval for road use
- Registration plate mounting
- Fully automatic central lubrication unit
- Custommade paint finish
- Hand lever grease gun

* Trailer coupling

Please note

that product availability can vary from country to country. It is possible that information / products may not be available in your country. More detailed information on engine power can be found in the operator's manual; the stated power may vary due to specific operating conditions.

Subject to alterations and errors excepted. Applicable also to illustrations.

Copyright © 2017 Weidemann GmbH.