



2070LP

Wheel loader



Technical specifications

	2070 CX50 LP	2070 CX80 LP
Engine data		
Manufacturer	Perkins	Deutz
Engine type	404 D-22	TD2011 L04w
Cylinders	4	4
Engine performance (max.) kW (hp)	35.7 (49)	55.1 (75)
at rpm (max.) rpm	2600	2300
Cubic capacity cm ³	2216	3619
Cooling system	Water	Water



	2070 CX50 LP	2070 CX80 LP
Electrical system		
Operating voltage V	12	12
Battery Ah	95	95
Alternator A	65	95
Weights		
Operating weight (standard) kg	3270	3360
Lift force (max.) daN	3.706	3.706
Tipping load with bucket - machine straight kg	2300	2413
Tipping load with bucket - machine articulated kg	1879	1975
Tipping load with pallet fork - machine straight kg	2058	2159
Tipping load with pallet fork - machine articulated kg	1700	1776
Vehicle data		
Axle	PA 1200	PA 1200
Cab (optional)	FSD (cab)	FSD (cab)
Ground speed (optional) km/h	0 - 20 (28)	0 - 20 (28)
Speed stages	2	2
Fuel tank capacity l	55	55
Hydraulic oil tank capacity l	65	65
Hydraulic system		
External services - Operating pressure bar	450	445
Steering hydraulics - Oil flow l/min	49.4	51.75
Steering hydraulics - Operating pressure bar	210	210
Drive		
Type of drive	Hydrostatic	Hydrostatic
Traction drive	Universal joint shaft	Universal joint shaft
Noise values		
Average sound power level L _{wA} dB(A)	99,5	99,3
Guaranteed sound power level L _{wA} dB(A)	101	101
Specified sound pressure level L _{pA} dB(A)	75	78

Tipping load calculation according to ISO 14397

FSD = canopy



Vibrations (weighted average effective value)

Hand-arm vibrations: The hand-arm vibrations are no more than 2.5 m/s²

Whole body vibrations: This machine is equipped with a driver's seat that meets the requirements of EN ISO 7096:2000.

When the loader is properly used, the whole body vibrations vary from below 0.5 m/s² up to a short-term maximum value.

It is recommended to use the values specified in the table when calculating the vibration values according to ISO/TR 25398:2006. At the same time the actual use conditions have to be taken into consideration.

Telescopic loaders, like wheel loaders, are to be classified by operating weight.

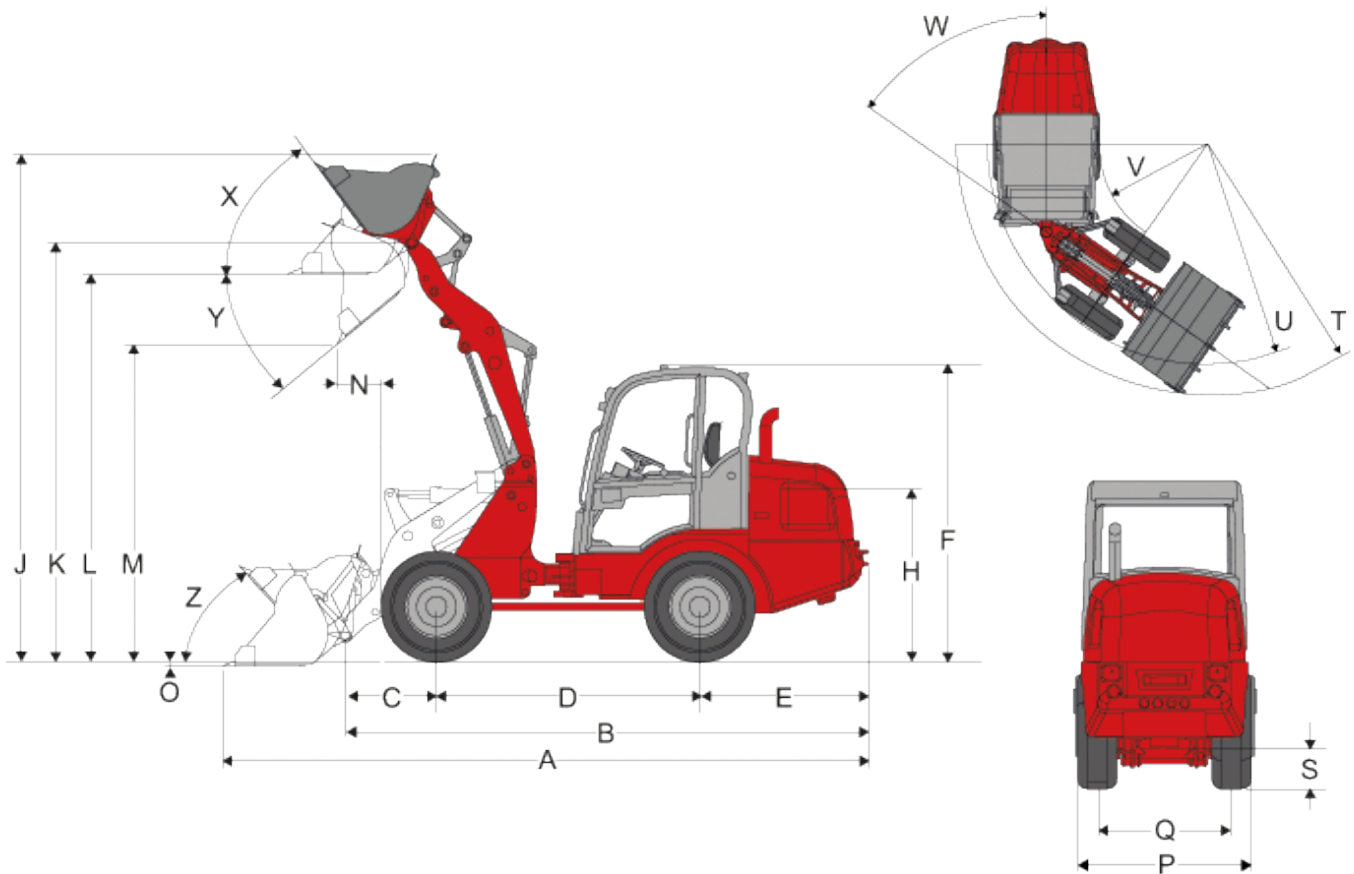
Type of loader	Typical operating conditions	Average value			Standard deviation (s)		
		$1.4 \cdot a_{w,eqx}$ [m/s ²]	$1.4 \cdot a_{w,eqy}$ [m/s ²]	$a_{w,eqz}$ [m/s ²]	$1.4 \cdot s_x$ [m/s ²]	$1.4 \cdot s_y$ [m/s ²]	s_z [m/s ²]
Compact wheel loader (operating weight < 4,500 kg)	Load & carry (load and transport work)	0.94	0.86	0.65	0.27	0.29	0.13
Wheel loader (operating weight > 4,500 kg)	Load & carry (load and transport work)	0.84	0.81	0.52	0.23	0.2	0.14
	Application in extraction (harsh application conditions)	1.27	0.97	0.81	0.47	0.31	0.47
	Transfer drive	0.76	0.91	0.49	0.33	0.35	0.17
	V-operation	0.99	0.84	0.54	0.29	0.32	0.14



2070LP

Wheel loader

Dimensions



A	Total length	4.930 mm
B	Total length (without bucket)	4.140 mm
C	Axle middle to bucket pivot pin	701 mm
D	Wheelbase	2.050 mm
E	Rear overhang	1.310 mm
F	Height to top of overhead guard - low-profile	2.160 mm
	Height to top of overhead guard - high-profile	2.320 mm



	Height to top of cabin - low-profile	2.160 mm
	Height to top of cabin - high-profile	2.370 mm
H	Seat top height	1.290 mm
J	Total working height	3.900 mm
K	Height of bucket pivot (max.)	3.240 mm
L	Load-over height	2.930 mm
M	Dumping height	2.390 mm
N	Operating distance for M	180 mm
O	Digging depth	90 mm
P	Total width	1.410 mm
Q	Track width	1.132 mm
S	Ground clearance	297 mm
T	Maximum radius external	3.689 mm
U	Radius at the outer edge	3.271 mm
V	Inside turning radius	1.827 mm
W	Inclination angle	44 °
X	Rollback angle at max. lifting height	49 °
Y	Dumping angle (max.) (max.)	44 °
Z	Rollback angle (on the ground)	44 °

All values with a standard bucket and standard tyres



2070LP

Wheel loader

Standard components

Engine

- Perkins 404 D-22 (35.7 kW / 49 hp)

Drive

- PA1200 planetary axle
- Hydrostatic all-wheel drive, travel direction can be selected via joystick
- Service brake: Hydrostatic drive system acting on all 4 wheels (wear-free)
- Central service and parking brake in the drive train acting on all 4 wheels
- 100% differential lock, electric-hydraulically connectable on front and rear axle
- Tyres 11.5 / 80 - 15.3 AS ET40

Steering

- Hydraulic articulated pendulum steering, 12° oscillating angle

Hydraulics

- 3rd control circuit front DN12
- Hydraulic oil cooler
- Lock for steering valve
- Floating position for lift and tilting cylinders

Driver's cab

- "Low" canopy (height 2,133 mm) or "tall" (height 2,248 mm) with front and rear window, ROPS / FOPS tested
- Comfort seat with safety belt, fully suspended, weight, back and horizontal adjustment
- Joystick with direction control switch and integrated touch button for differential lock



- Adjustable steering column

Kinematics

- P-Z kinematics

Other

- Working lights (2 front, 2 rear)
- Operating hour meter
- Battery circuit breaker
- Fuel display
- Hydraulic quick-change system for attachments



2070LP

Wheel loader

Options

Engine

- Deutz TD2011 L04w (55.1 kW / 75 hp)
- Engine pre-heating

Driver's cab

- "Low" 2-door cabin, including heating and ventilation (height 2,133 mm)
- "Tall" 2-door cabin, including heating and ventilation (height 2,335mm)
- Air-suspended comfort seat
- Radio

Lighting

- Lighting according to Road Traffic Regulations
- Rotary beacon

Drive

- Chassis increase (30 mm)
- Speed increase to 28 km/h

Hydraulics

- Unpressurised reflux (front / rear)
- 3rd comfort control circuit
- 4th comfort control circuit
- 4th control circuit additional
- Gear pump (58.5 l/min)



- Faster plug-in connector (machine or attachment side)
- Notch for joystick (single)
- Hydraulic connection in rear (single acting)

Electrical connections

- Plug receptacle in front, triple-pole (single or dual function)
- Plug receptacle for rear attachments, 7-pin

Other

- Counterweight
- Back-up alarm
- Load-lowering valve
- Combination case with warning triangle and first-aid kit
- Tool box
- Technical Inspection Authority expert's report
- Fully automatic central lubrication unit
- Custom made paint finish
- Hand lever grease gun
- Load vibration suppression

Please note

that product availability can vary from country to country. It is possible that information / products may not be available in your country. More detailed information on engine power can be found in the operator's manual; the stated power may vary due to specific operating conditions.

Subject to alterations and errors excepted. Applicable also to illustrations.

Copyright © 2017 Weidemann GmbH.