



2070LPT

Tele wheel loader



Technical specifications

	2070 CX50 LP T	2070 CX80 LP T
Engine data		
Manufacturer	Perkins	Deutz
Engine type	404 D-22	TD2011 L04w
Cylinders	4	4
Engine performance (max.) kW (hp)	35.7 (49)	55.1 (75)
at rpm (max.) rpm	2600	2300
Cubic capacity cm ³	2216	3619
Cooling system	Water	Water



	2070 CX50 LP T	2070 CX80 LP T
Electrical system		
Operating voltage V	12	12
Battery Ah	95	95
Alternator A	65	95
Weights		
Operating weight (standard) kg	3750	3860
Lift force (max.) daN	4.055	4.055
Tipping load with bucket - machine straight kg	2090 (1161*)	2209 (1239*)
Tipping load with bucket - machine articulated kg	1760 (954*)	1871 (1034*)
Tipping load with pallet fork - machine straight kg	1775 (1037*)	1864 (1114*)
Tipping load with pallet fork - machine articulated kg	1494 (858*)	1605 (930*)
Vehicle data		
Axle	PA 1200	PA 1200
Cab (optional)	FSD (cab)	FSD (cab)
Ground speed (optional) km/h	0 - 20 (28)	0 - 20 (28)
Speed stages	2	2
Fuel tank capacity l	75	75
Hydraulic oil tank capacity l	65	65
Hydraulic system		
External services - Operating pressure bar	450	445
Steering hydraulics - Oil flow l/min	49.4	51.75
Steering hydraulics - Operating pressure bar	235	235
Drive		
Type of drive	Hydrostatic	Hydrostatic
Traction drive	Universal joint shaft	Universal joint shaft
Noise values		
Average sound power level L _{wA} dB(A)	99,5	99,3
Guaranteed sound power level L _{wA} dB(A)	101	101
Specified sound pressure level L _{pA} dB(A)	75	78

*Tipping load values when extended

Tipping load calculation according to ISO 14397

FSD = canopy



Vibrations (weighted average effective value)

Hand-arm vibrations: The hand-arm vibrations are no more than 2.5 m/s²

Whole body vibrations: This machine is equipped with a driver's seat that meets the requirements of EN ISO 7096:2000.

When the loader is properly used, the whole body vibrations vary from below 0.5 m/s² up to a short-term maximum value.

It is recommended to use the values specified in the table when calculating the vibration values according to ISO/TR 25398:2006. At the same time the actual use conditions have to be taken into consideration.

Telescopic loaders, like wheel loaders, are to be classified by operating weight.

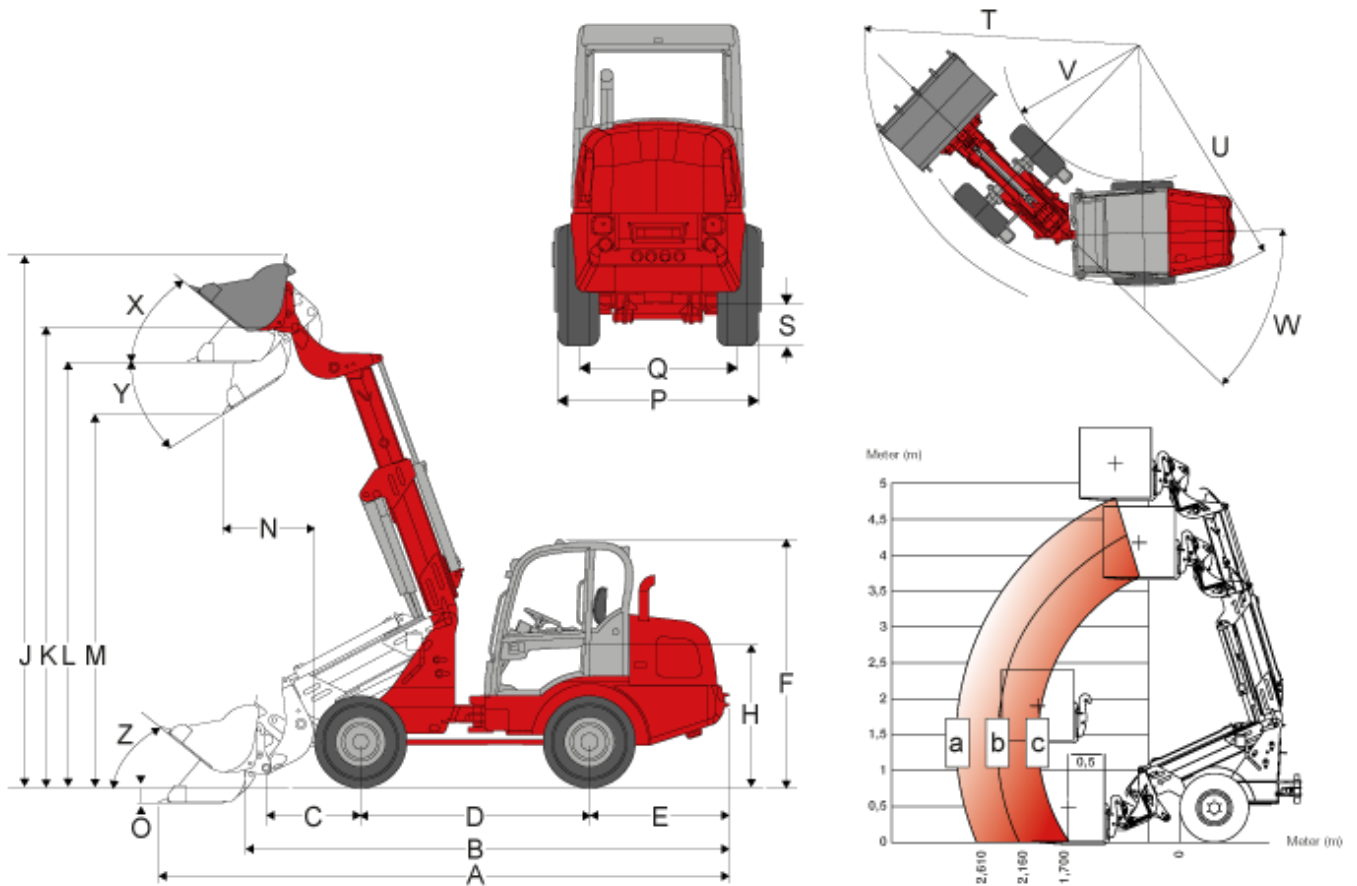
Type of loader	Typical operating conditions	Average value			Standard deviation (s)		
		1.4*a _{w,eqx} [m/s ²]	1.4*a _{w,eqy} [m/s ²]	a _{w,eqz} [m/s ²]	1.4*s _x [m/s ²]	1.4*s _y [m/s ²]	s _z [m/s ²]
Compact wheel loader (operating weight < 4,500 kg)	Load&&carry (load and transport work)	0.94	0.86	0.65	0.27	0.29	0.13
Wheel loader (operating weight > 4,500 kg)	Load&&carry (load and transport work)	0.84	0.81	0.52	0.23	0.2	0.14
	Application in extraction (harsh application conditions)	1.27	0.97	0.81	0.47	0.31	0.47
	Transfer drive	0.76	0.91	0.49	0.33	0.35	0.17
	V-operation	0.99	0.84	0.54	0.29	0.32	0.14



2070LPT

Tele wheel loader

Dimensions



A	Total length	5.297 mm
B	Total length (without bucket)	4.487 mm
C	Axle middle to bucket pivot pin	876 mm
D	Wheelbase	2.050 mm
E	Rear overhang	1.310 mm
F	Height to top of overhead guard - low-profile	2.160 mm
	Height to top of overhead guard - high-profile	2.320 mm



	Height to top of cabin - low-profile	2.160 mm
	Height to top of cabin - high-profile	2.370 mm
H	Seat top height	1.290 mm
J	Total working height	4.954 mm
K	Height of bucket pivot (max.)	4.277 mm
L	Load-over height	3.950 mm
M	Dumping height	3.465 mm
N	Operating distance for M	850 mm
O	Digging depth	138 mm
P	Total width	1.410 mm
Q	Track width	1.132 mm
S	Ground clearance	297 mm
T	Maximum radius external	3.795 mm
U	Radius at the outer edge	3.325 mm
V	Inside turning radius	1.881 mm
W	Inclination angle	45 °
X	Rollback angle at max. lifting height	45 °
Y	Dumping angle (max.)	32 °
Z	Rollback angle (on the ground)	39 °

Load capacity diagram

a	515 (558*) kg
b	672 (725*) kg
c	897 (963*) kg

*Values 2070 CX80 LP T



2070LPT

Tele wheel loader

Standard components

Engine

- Perkins 404 D-22 (35.7 kW / 49 hp)

Drive

- PA1200 planetary axle
- Hydrostatic all-wheel drive, travel direction can be selected via joystick
- Service brake: Hydrostatic drive system acting on all 4 wheels (wear-free)
- Central service and parking brake in the drive train acting on all 4 wheels
- 100% differential lock, electric-hydraulically connectable on front and rear axle
- Tyres 11.5 / 80 - 15.3 AS ET40

Steering

- Hydraulic articulated pendulum steering, 12° oscillating angle

Hydraulics

- 3rd control circuit front DN12
- Hydraulic oil cooler
- Unpressurised front reflux
- Lock for steering valve
- Floating position for lift and tilting cylinders

Driver's cab

- "Low" canopy (height 2,133 mm) or "tall" (height 2,248 mm) with front and rear window, ROPS / FOPS tested
- Comfort seat with safety belt, fully suspended, weight, back and horizontal adjustment



- Joystick with direction control switch and integrated touch button for differential lock and telescoping function
- Adjustable steering column

Kinematics

- Telescopic arm

Other

- Working lights (2 front, 2 rear)
- Operating hour meter
- Battery circuit breaker
- Fuel display
- Hydraulic quick-change system for attachments
- 2-pin electrical connection in front



2070LPT

Tele wheel loader

Options

Engine

- Deutz TD2011 L04w (55.1 kW / 75 hp)
- Engine pre-heating

Driver's cab

- "Low" 2-door cabin, including heating and ventilation (height 2,133 mm)
- "Tall" 2-door cabin, including heating and ventilation (height 2,335mm)
- Air-suspended comfort seat
- Radio

Lighting

- Lighting according to Road Traffic Regulations
- Rotary beacon

Drive

- Chassis increase (30 mm)
- Speed increase to 28 km/h

Hydraulics

- Reversing valve of 3rd control circuit in front, 4 connections, operation via switch
- Unpressurised reflux (rear)
- 3rd comfort control circuit
- Gear pump (58.5 l/min)
- Notch for joystick (single)



- Hydraulic connection in rear (single acting)

Electrical connections

- Plug receptacle for rear attachments, 7-pin

Other

- Counterweight
- Back-up alarm
- Combination case with warning triangle and first-aid kit
- Tool box
- Technical Inspection Authority expert's report
- Fully automatic central lubrication unit
- Custom made paint finish
- Hand lever grease gun
- Load vibration suppression

Please note

that product availability can vary from country to country. It is possible that information / products may not be available in your country. More detailed information on engine power can be found in the operator's manual; the stated power may vary due to specific operating conditions.

Subject to alterations and errors excepted. Applicable also to illustrations.

Copyright © 2017 Weidemann GmbH.