



2080

Wheel loader



Technical specifications

Engine data Standard

| | |
|---------------------------|----------------------|
| Manufacturer | Perkins |
| Engine type | 404D-22 |
| Cylinders | 4 |
| Engine performance (max.) | 36.3 (50) kW (hp) |
| at rpm (max.) | 2800 rpm |
| Cubic capacity | 2216 cm ³ |
| Cooling system | Water |

Engine data Optional

| | |
|--------------|---------|
| Manufacturer | Perkins |
|--------------|---------|



| | |
|--|--------------------------------|
| Engine type | 404F-22T |
| Cylinders | 4 |
| Engine performance (max.) | 44.7 (60) kW (hp) |
| at rpm (max.) | 2800 rpm |
| Cubic capacity | 2216 cm ³ |
| Cooling system | Water |
| Engine data Optional | |
| Manufacturer | Deutz |
| Engine type | TCD 2.9 L4 |
| Cylinders | 4 |
| Engine performance (max.) | 55.4 (75) kW (hp) |
| at rpm (max.) | 2300 rpm |
| Cubic capacity | 2900 cm ³ |
| Cooling system | Water ² /charge air |
| Electrical system | |
| Operating voltage | 12 V |
| Battery | 95 Ah |
| Alternator | 95 A |
| Weights | |
| Operating weight (standard) | 4200 / 4300* kg |
| Tipping load with bucket - machine straight | 3020 / 3320* kg |
| Tipping load with pallet fork - machine straight | 2511 / 2726* kg |
| Vehicle data | |
| Axle | PA 1200 |
| Cab | Cab |
| Ground speed (optional) | 0 - 20 (28) km/h |
| Speed stages | 2 |
| Fuel tank capacity | 65 l |
| Hydraulic oil tank capacity | 50 l |
| Hydraulic system | |
| External services - Operating pressure | 445 bar |
| Steering hydraulics - Oil flow (optional) | 56 (63-116) l/min |
| Steering hydraulics - Operating pressure | 210 bar |
| Drive | |
| Type of drive | Hydrostatic |



Traction drive Universal joint shaft

Noise values

| | |
|--|------------|
| Average sound power level L _{WA} | 99,3 dB(A) |
| Guaranteed sound power level L _{WA} | 101 dB(A) |
| Specified sound pressure level L _{pA} | 78 dB(A) |

* Values with optional Deutz engine
tipping load calculation according to ISO 14397

Vibrations (weighted average effective value)

Hand-arm vibrations (HAV): The hand-arm vibrations are no more than 2.5 m/s²

Whole body vibrations: This machine is equipped with a driver's seat that meets the requirements of EN ISO 7096:2000.

When the loader is properly used, the whole body vibrations vary from below 0.5 m/s² up to a short-term maximum value.

It is recommended to use the values specified in the table when calculating the vibration values according to ISO/TR 25398:2006. At the same time the actual use conditions have to be taken into consideration.

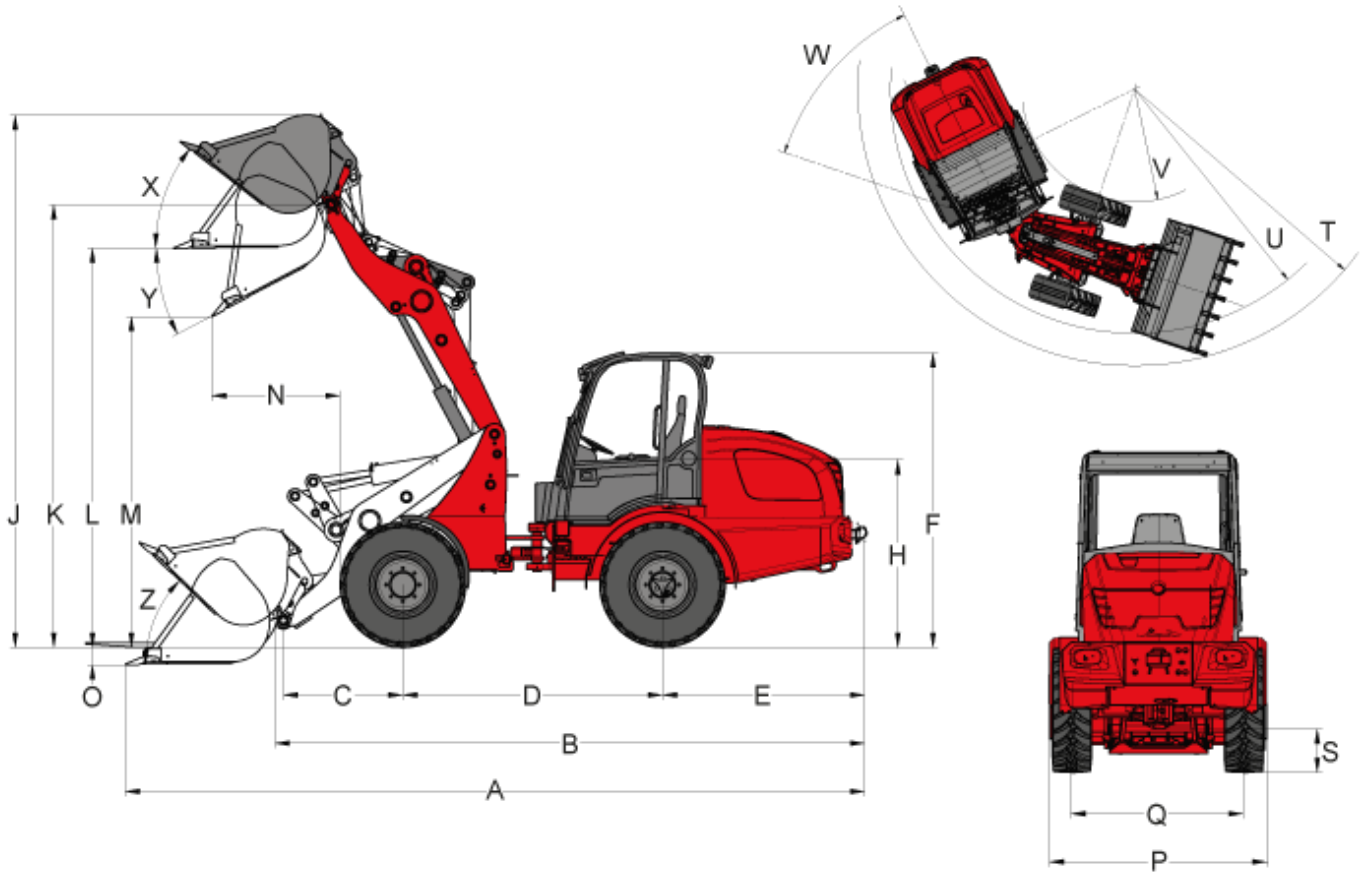
Telescopic loaders, like wheel loaders, are to be classified by operating weight.

| Type of loader | Typical operating conditions | Average value | | | Standard deviation (s) | | |
|--|--|---|---|---|---|---|---------------------------------------|
| | | 1.4*a _{w,eqx} [m/s ²] | 1.4*a _{w,eqy} [m/s ²] | a _{w,eqz} [m/s ²] | 1.4*s _x [m/s ²] | 1.4*s _y [m/s ²] | s _z [m/s ²] |
| Compact wheel loader (operating weight < 4,500 kg) | Load & carry (load and transport work) | 0.94 | 0.86 | 0.65 | 0.27 | 0.29 | 0.13 |
| Wheel loader (operating weight > 4,500 kg) | Load & carry (load and transport work) | 0.84 | 0.81 | 0.52 | 0.23 | 0.2 | 0.14 |
| | Application in extraction (harsh application conditions) | 1.27 | 0.97 | 0.81 | 0.47 | 0.31 | 0.47 |
| | Transfer drive | 0.76 | 0.91 | 0.49 | 0.33 | 0.35 | 0.17 |
| | V-operation | 0.99 | 0.84 | 0.54 | 0.29 | 0.32 | 0.14 |



2080
Wheel loader

Dimensions



| | | |
|---|---------------------------------------|----------|
| A | Total length | 5.037 mm |
| B | Total length (without bucket) | 4.281 mm |
| C | Axle middle to bucket pivot pin | 675 mm |
| D | Wheelbase | 2.045 mm |
| E | Rear overhang | 1.516 mm |
| F | Height to top of cabin - low-profile | 2.359 mm |
| F | Height to top of cabin - high-profile | 2.535 mm |



| | | |
|---|---------------------------------------|----------|
| H | Seat top height | 1.429 mm |
| J | Total working height | 3.828 mm |
| K | Height of bucket pivot (max.) | 3.239 mm |
| L | Load-over height | 2.950 mm |
| M | Dumping height | 2.509 mm |
| N | Operating distance for M | 177 mm |
| O | Digging depth | 62 mm |
| P | Total width | 1.410 mm |
| Q | Track width | 1.113 mm |
| S | Ground clearance | 270 mm |
| T | Maximum radius external | 3.523 mm |
| U | Radius at the outer edge | 3.316 mm |
| V | Inside turning radius | 1.727 mm |
| W | Inclination angle | 45 ° |
| X | Rollback angle at max. lifting height | 52 ° |
| Y | Dumping angle (max.) | 39 ° |
| Z | Rollback angle (on the ground) | 45 ° |



2080

Wheel loader

Standard components

Motor

- Perkins 404 D-22 (36.3 kW / 50 hp) - Exhaust emission level IIIA

Drive system

- PA1200 planetary axle
- Hydrostatic all-wheel drive, travel direction can be selected via joystick
- Service brake: Hydrostatic drive system acting on all 4 wheels (wear-free)
- Central service and parking brake in the drive train acting on all 4 wheels
- 100% differential lock, electric-hydraulically connectable on front and rear axle
- Tires 11.5 / 80 - 15.3 AS ET40

Steering system

- Hydraulic articulated pendulum steering, 12° oscillating angle

Hydraulics

- 3rd control circuit in front electrically proportional in parallel via joystick
- Hydraulic oil cooler
- Floating position for lift cylinder

Driver's Cabin

- Comfort cabin with heater and fan, laterally tiltable, roll-over protective structure / FOPS-tested ("low" cabin height 2359 mm)
- Comfort seat with safety belt, fully suspended, weight, back and horizontal adjustment
- Hydraulic pilot operated joystick with direction control switch and integrated touch button for differential lock
- Adjustable steering wheel

Other

- Working lights (2 front, 2 rear)
- Operating hour meter
- Battery circuit breaker
- Fuel display
- Hydraulic quick-change system for attachments
- Toolbox in the vehicle rear
- Bucket status display
- Self-recovery coupling
- Lighting display according to Road Traffic Regulations



2080

Wheel loader

Options

Motor

- Perkins 404F-22T (44.7 kW / 60 hp) - Exhaust emission level IIIB
- Deutz TCD 2.9 L4 (55.4 kW / 75 hp) - Exhaust emission level IIIB
- Engine pre-heater + hydraulic oil pre-heater 230 V

Drive system

- Hand inching (creep speed controller)
- Speed increase to 28 km/h
- Load arm dampening

Driver's Cabin

- Comfort cabin with heater and fan, laterally tiltable, roll-over protective structure / FOPS-tested ("high" cabin height 2535 mm)
- Air-cushioned comfort seat (fabric)
- Heated seat
- Air-conditioning system
- Cabin plug receptacle 230 V

Lighting

- MEGA working lights (2 front, 2 rear)
- LED working lights (2 front, 2 rear)
- Rotating beacon

Hydraulics

- Unpressurised reverse travel (front / rear)
- Work hydraulics of large pump (63 l/min)
- Work hydraulics of large pump (70 l/min)
- Work hydraulics of large pump (74 l/min)
- High flow single-acting performance hydraulics (100 l/min), including unpressurised reverse travel and additional hydraulic oil cooler
- 3rd control circuit, electrically, proportionally, serial
- 4th additional control circuit electrically proportional in parallel
- Additional hydraulic oil cooler
- Dual-acting hydraulic connection in rear (30 or 51 l/min) proportional (two couplings) via reversing valve
- Dual-acting hydraulic connection in rear (30 or 51 l/min) (two couplings), including separate steering valve
- 2x dual-acting hydraulic connection in rear (30 or 51 l/min) (four couplings), including separate steering valve

Electrical connections

- Front plug receptacle, 7-pole for lighting front attachments
- Front plug receptacle, 3-pole (dual function)



- Plug receptacle for rear attachments, 7-pin
- Triple-pole plug receptacle in rear

Other

- Radio
- Reversing warning device (acoustic)
- Lowering brake valve
- Combination case with warning triangle and first-aid kit
- Tool kit
- Fire extinguisher 2kg
- Counterweight floor plate
- Automatic trailer coupling
- Approval as self-propelled work machine with AHK*
- Official approval for road use
- Fully automatic central lubrication unit
- Custommade paint finish
- Hand lever grease gun
- Registration plate mounting
- TÜ expert's report (addendum in vehicle documentation)

* Trailer coupling

Please note

that product availability can vary from country to country. It is possible that information / products may not be available in your country. More detailed information on engine power can be found in the operator's manual; the stated power may vary due to specific operating conditions.

Subject to alterations and errors excepted. Applicable also to illustrations.

Copyright © 2017 Weidemann GmbH.